

**MASTERS GRAND SERIES**

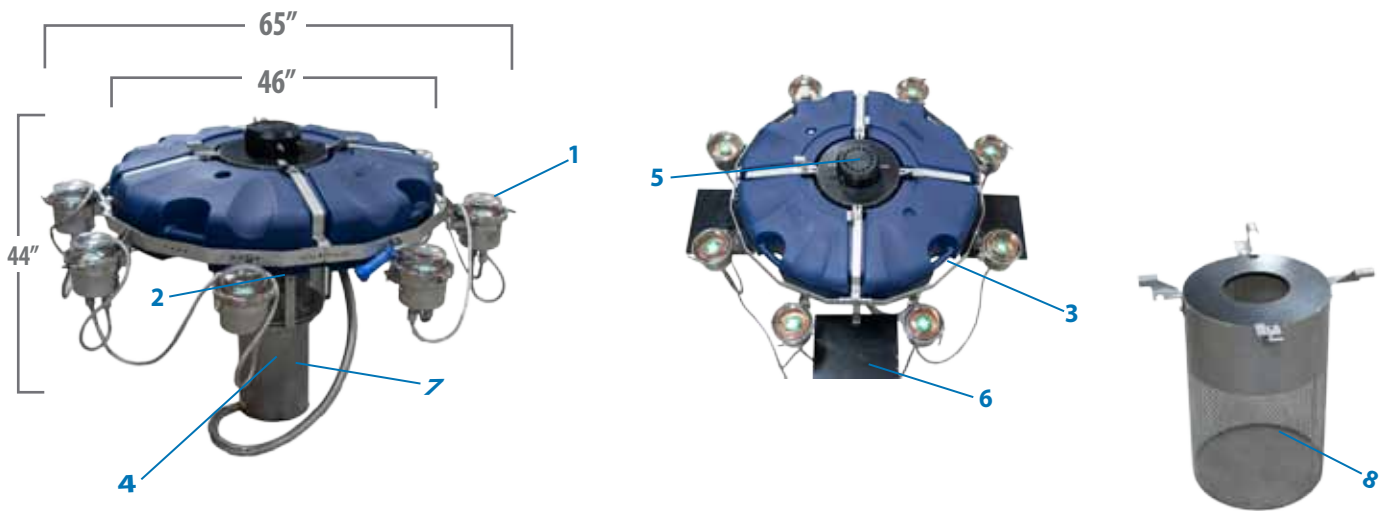
**AUGUSTA**

**STRAIGHTENED FLOW PATTERN (SFP)**



HORSEPOWER	7.5	10	
HT x DIA ft UPPER	20 x 50	N/A	4H10
ELECTRICAL RATING Ph   VOLTAGE   AMPS	1   220-240   42	1   220-240   60	
	3   220-240   26.4	3   220-240   36	
	3   440-480   13.2	3   440-480   18	
HT x DIA m UPPER	5.9 x 16.5	N/A	5H10
ELECTRICAL RATING Ph   VOLTAGE   AMPS	3   380-415   12	3   380-415   18	

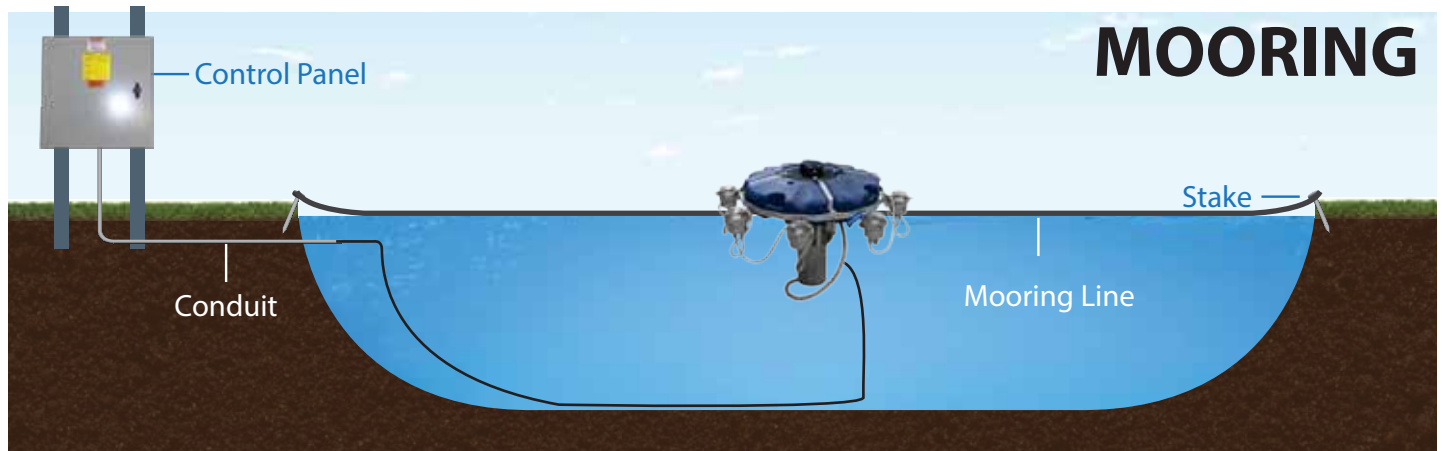
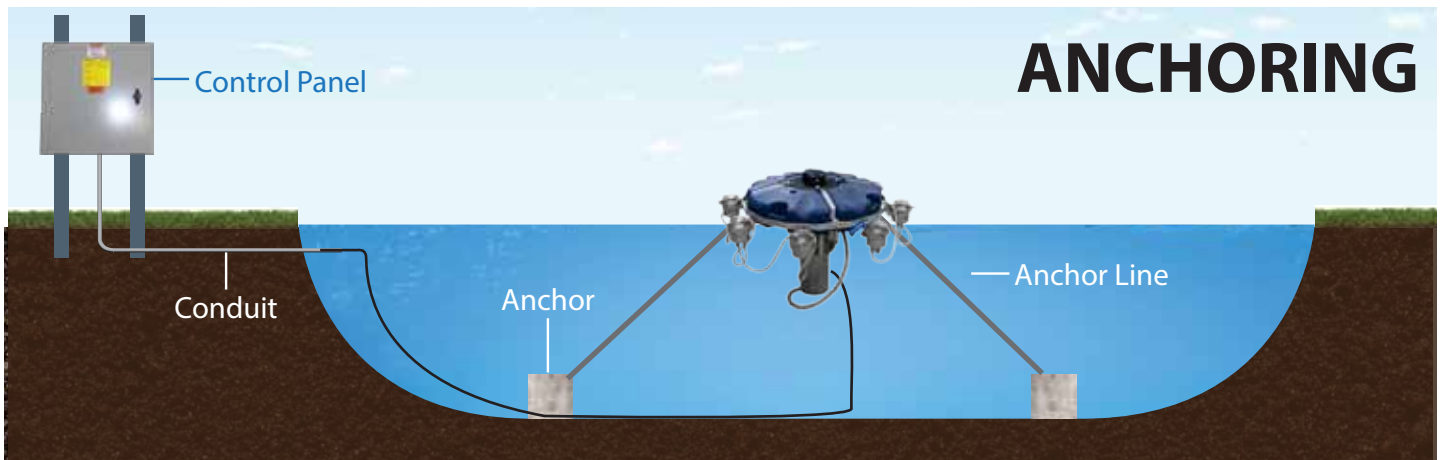
**MASTERS GRAND SERIES® DESIGN**



Masters Grand Series

- 1 - Tool less series 316 stainless steel light bracket
- 2 - Patented, high-efficiency series 316 stainless steel impeller system
- 3 - Handles on float/tie downs
- 4 - Exclusive custom-designed oil-cooled energy efficient motors with series 316 stainless steel motor housing, top plate and shaft
- 5 - Interchangeable twist-lock nozzles
- 6 - Optional stabilizers to help reduce fountain rocking
- 7 - Minimum operating depth 4ft
- 8 - Removable (without tools) large capacity, rigid 18 gauge series 316 stainless steel intake screen

**INSTALLATION**



**CONTROL PANEL**



**CONTROL PANEL COMPONENTS**

- Outdoor rated, lockable enclosure constructed of galvanized steel powder coated gray
- Standard enclosure sizes:  
 24" x 20" x 6" (7.5HP 1PH, 7.5HP 3PH, 10HP 1PH)  
 30" x 24" x 8" (10-25HP 3PH)
- Digital timers with battery backup
- LED lighting circuit included in all control panels
- Custom Control Panels for multiple units and options available
- Overcurrent protection
- Ground fault protection
- Motor contactor and overload-10HP 1PH
- Capacitors (single phase only)
- Soft Starter and Manual Motor Protector (10-25HP 3 PH)

