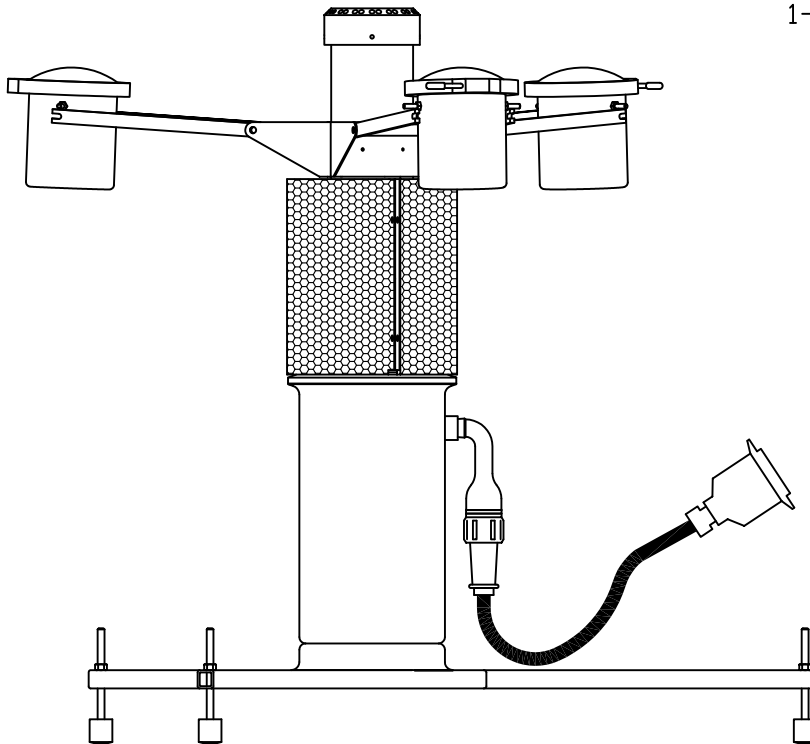


OPTIONAL 3 LIGHT SET
SHOWN

CLEARANCE REQUIRED FOR
TRIANGULAR STAINLESS
STEEL BASE:
1-5 HP = 50"



DWN.	AQUAMASTER	
MG	16024 cth. X Kiel, WI. 53042	
DATE	TITLE:	1/2-5 H.P. FIXED BASE WATER FEATURES
4/17/08	REV	DWG. NO. MD001-432