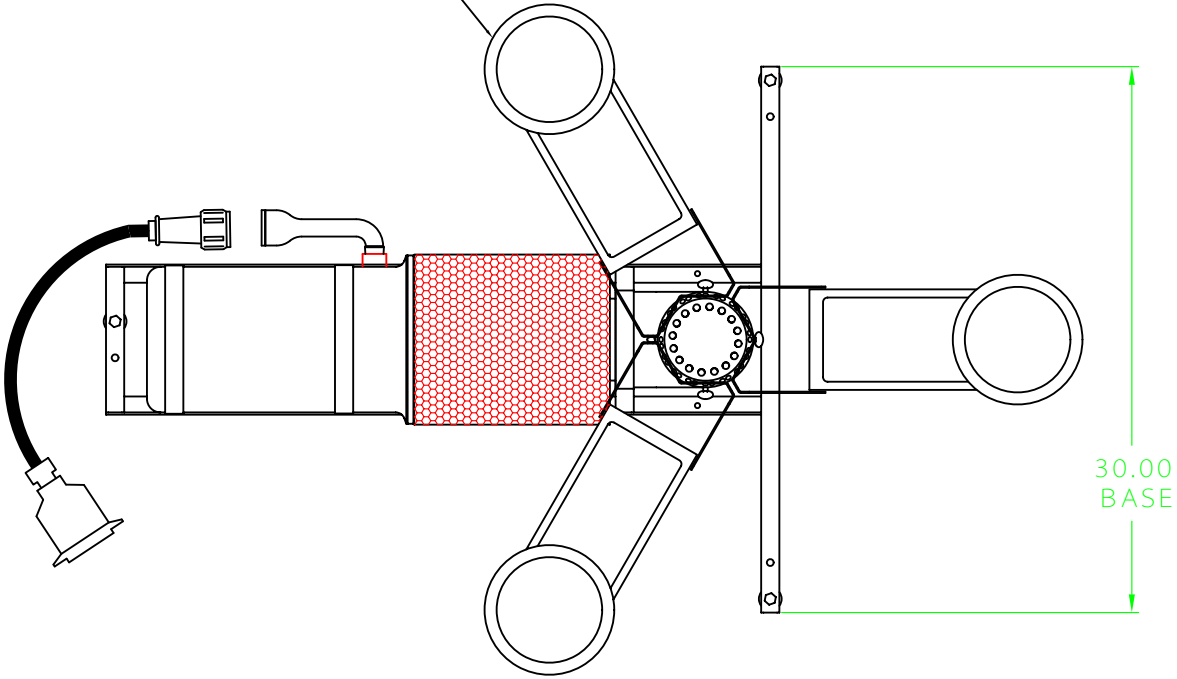
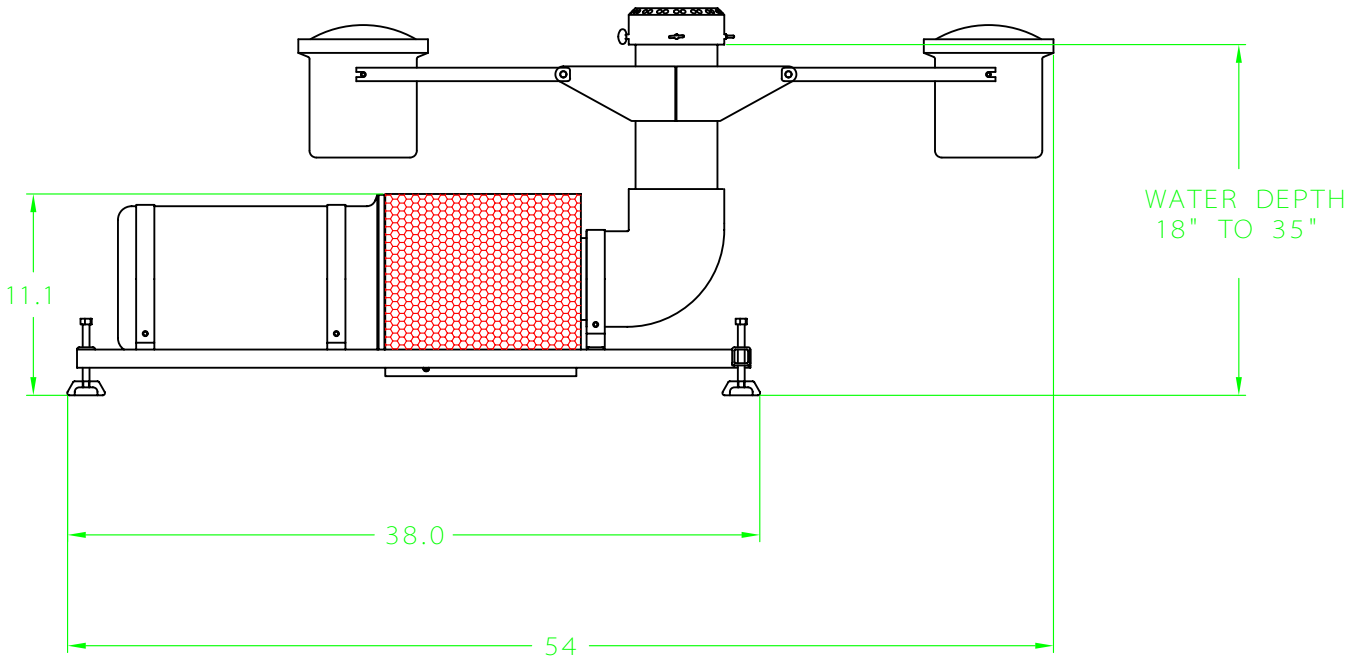


OPTIONAL 3 LIGHT SET SHOWN



30.00  
BASE



WATER DEPTH  
18" TO 35"

DWN. MG	<b>AQUAMASTER</b> 16024 cth. X Kiel. WI. 53042
DATE 4/8/08	TITLE: 1-5 H.P. FIXED BASE WATER FEATURES
REV 7/23/09	DWG. NO. MD001 - 428