

**MASTERS DECORATIVE SERIES®**

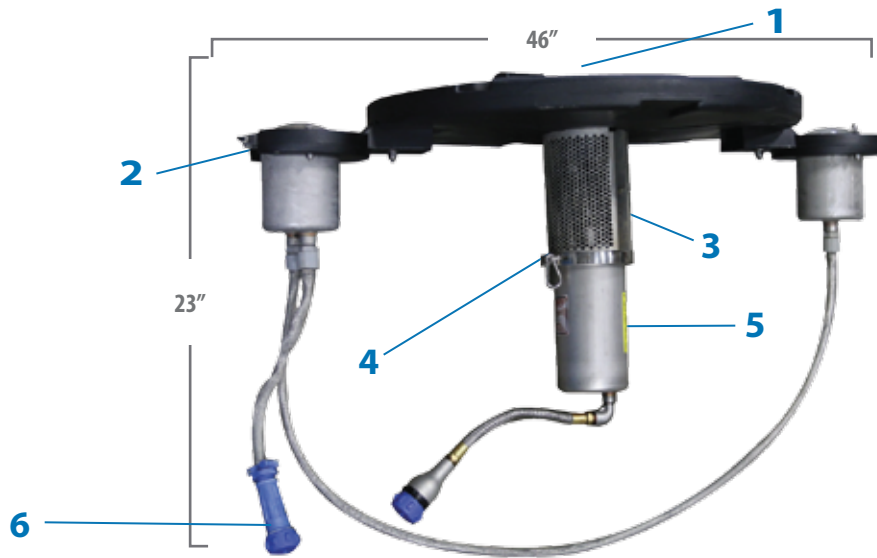
**PRESTWICK**

**STRAIGHTENED FLOW PATTERN (SFP)**



<b>HORSEPOWER</b>	1/2	<b>60HZ</b>
<b>HT x DIA ft UPPER</b>	8 x 8	
<b>HT x DIA ft LOWER</b>	3 x 25	
<b>ELECTRICAL RATING</b> Ph   VOLTAGE   AMPS	1   120   5.6 1   208-240   2.8	<b>50HZ</b>
<b>HT x DIA m UPPER</b>	1.4 x 2	
<b>HT x DIA m LOWER</b>	0.9 x 6.1	
<b>ELECTRICAL RATING</b> Ph   VOLTAGE   AMPS	1   220-230   3	

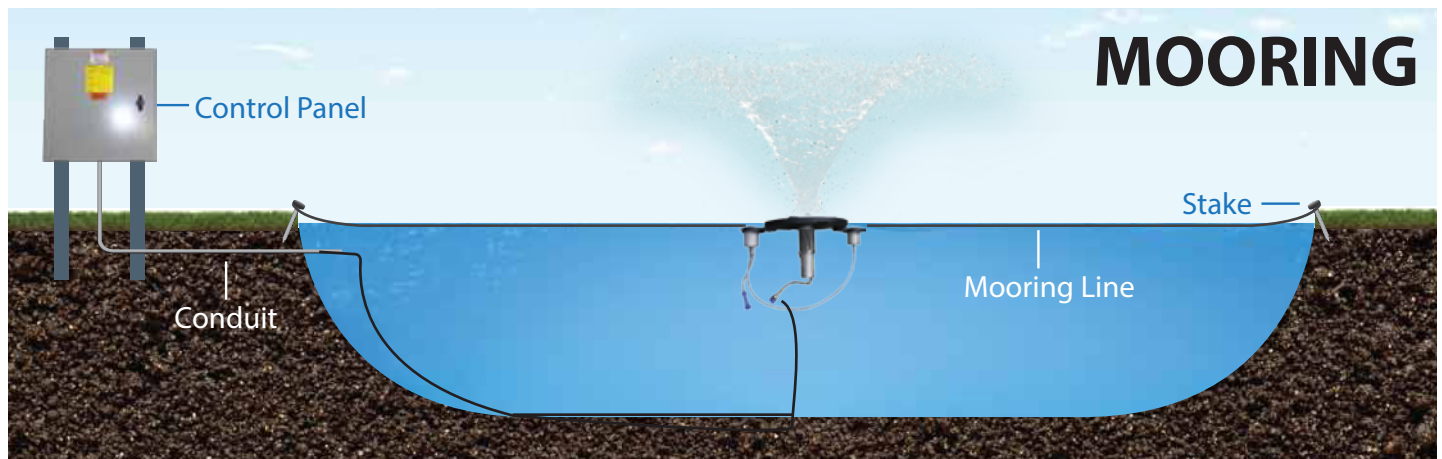
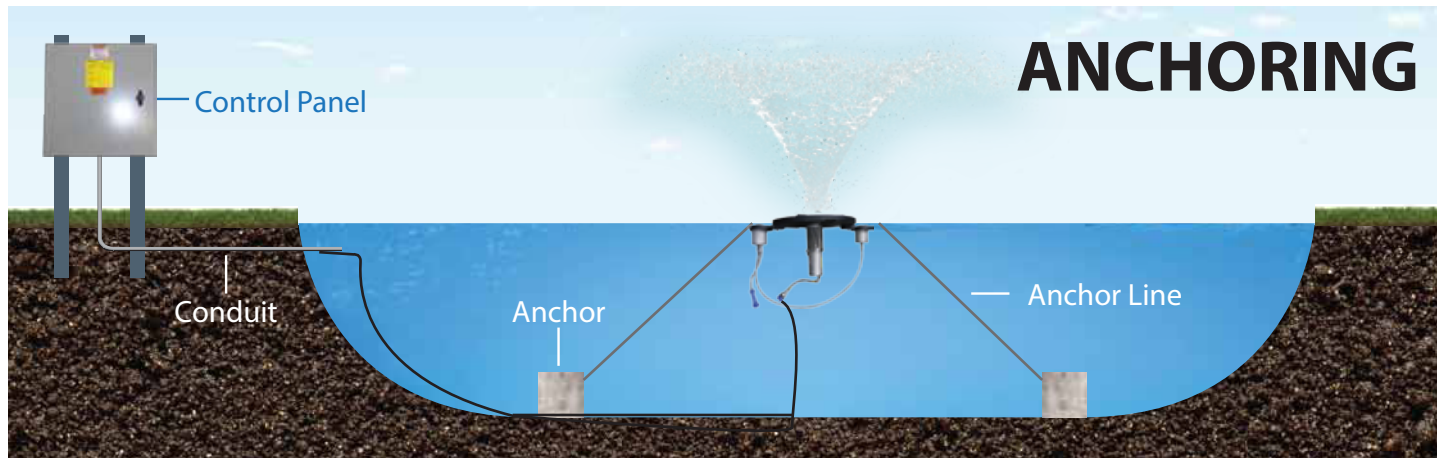
**MASTERS DECORATIVE SERIES® DESIGN**



**1/2 HP Masters Decorative Series®**  
 (Min. Operating Depth - 2ft.)

- 1 - Interchangeable nozzles
- 2 - Low profile float design with attachable light brackets for LED & RGBW Lighting
- 3 - Stainless steel intake screen
- 4 - Patented, high-efficiency impeller system
- 5 - Exclusive custom-designed oil-cooled energy efficient motors with stainless steel motor housing and top plate
- 6 - AquaLock Connector (ALC) electrical quick disconnect

## INSTALLATION



## CONTROL PANEL

### Standard Panel:

- Standard Panel dimensions: 9-3/8" x 5-1/2" x 3-3/4"
- 11W LED Lights only
- LED Photo Eye
- When Standard Control Panel is purchased, Masters Decorative Series warranty is 3 years and Standard Control Panel warranty is 1 year.



### Upgraded Panels:

- Upgraded Panel dimensions: 16" x 12" x 6"
- 11W or RGBW Lights
- When Upgraded Control Panel is purchased, Masters Decorative Series warranty is 5 years and Upgraded Control Panel warranty is 3 years.

