

MASTERS SERIES

LAKWOOD

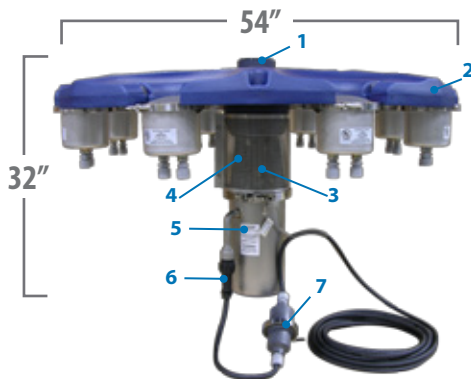
BASIC FLOW PATTERN (BFP)

VERTICAL ONLY

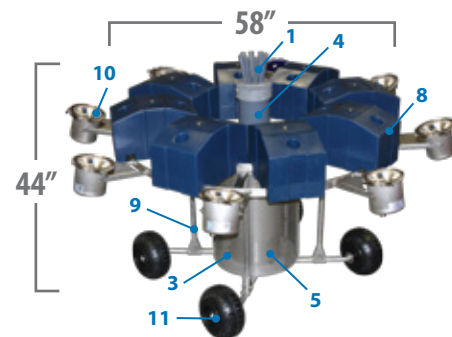


HORSEPOWER	1	2	3 & 3½	5	7½	10
HT x DIA ft	7 x 18	9 x 24	11 x 30	15 x 36	16 x 40	16.5 x 50
ELECTRICAL RATING Ph VOLTAGE AMPS	1 120 19	1 208-240 12.6	1 (3½HP) 208-240 15.2	1 208-240 27.1	1 220-240 42	1 220-240 60
	3 208-240 9.6	3 208-240 6.3	3 (3HP) 208-240 10.1	3 208-240 18	3 208-240 26.4	3 208-240 36
	3 208-240 5.4	3 440-480 3.1	3 (3HP) 440-480 5.1	3 440-480 9	3 440-480 13.2	3 440-480 18
	3 440-480 2.7					
HT x DIA m	2.1 x 6.7	2.7 x 8.2	3.3 x 9.1	4.6 x 11.6	4.9 x 12.2	5 x 15.2
ELECTRICAL RATING Ph VOLTAGE AMPS	1 220-230 8	1 208-230 10.5	1 220-230 19	1 208-230 24	3 380-415 12	3 380-415 18
	3 380-415 2.6	3 380-415 3.7	3 380-415 5	3 380-415 8		

MASTERS SERIES® DESIGN TYPES



**1 - 5 HP Masters Series
Vertical Design**
(Min. Operating Depth - 3ft.)

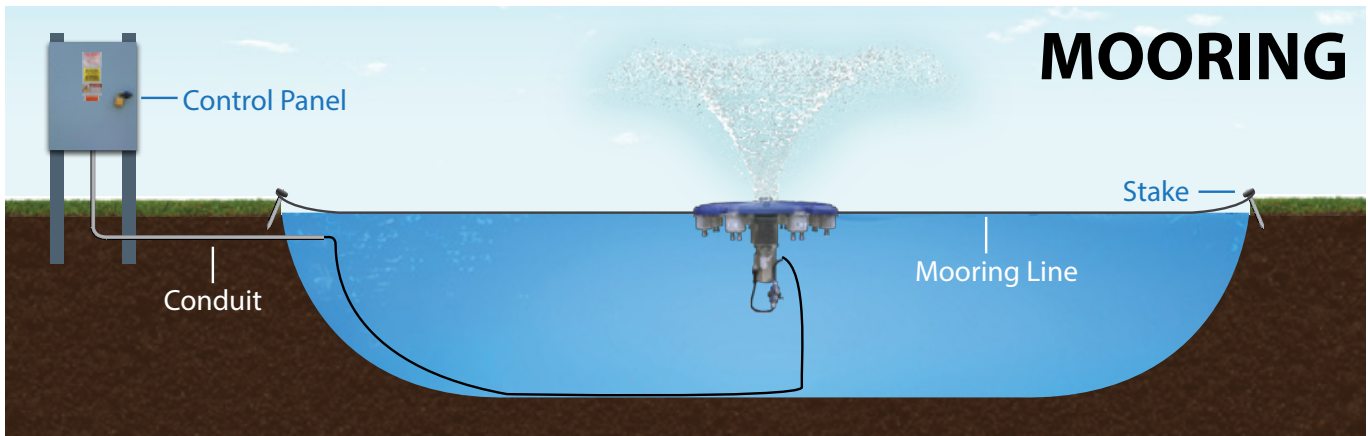
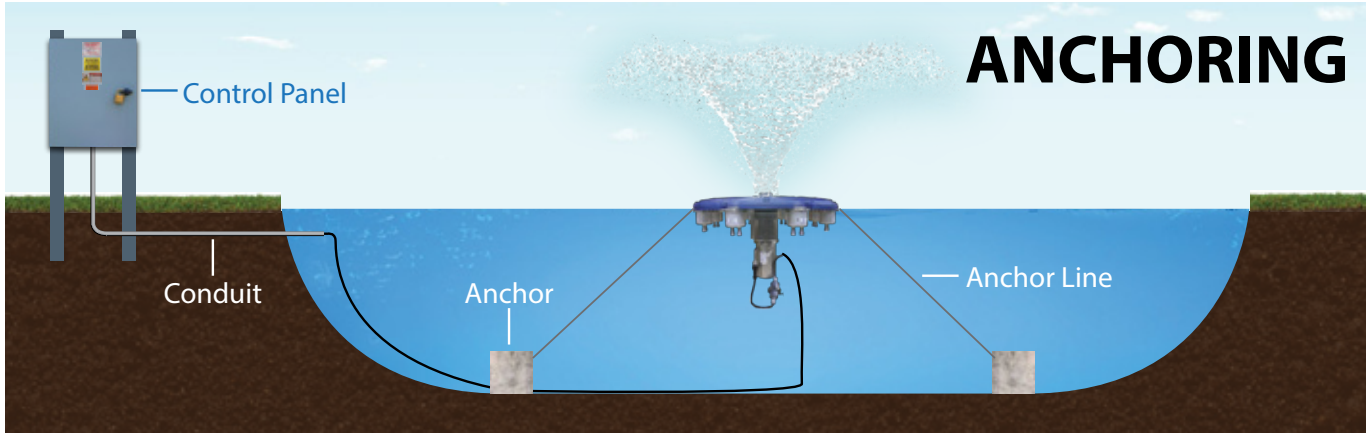


**7.5 - 10 HP Masters Series
Cart Design**
(Min. Operating Depth - 4ft.)

- 1 -** Interchangeable nozzles
- 2 -** Low profile float design with recessed pockets for LED & RGBW Lighting
- 3 -** Stainless steel intake screen
- 4 -** Patented, high-efficiency molded composite impeller system
- 5 -** Exclusive custom-designed oil-cooled energy efficient motors with stainless steel motor housing and top plate
- 6 -** AquaLock Connector (ALC) electrical quick disconnect
- 7 -** Exclusive underwater cable disconnect
- 8 -** Individual high density polyethylene floats are in-water adjustable
- 9 -** Rugged stainless steel compact cart design
- 10 -** Adjustable Night Glow LED or RGBW Lighting
- 11 -** Oversized floatation type tires for ease of launching

MASTERS SERIES

INSTALLATION



CONTROL PANEL



CONTROL PANEL COMPONENTS

- Outdoor rated, lockable enclosure constructed of galvanized steel powder coated gray
- Standard enclosure size 16" x 16" x 6" for 1-5HP and 24" x 20" x 6" for 7.5-10HP (1Ph) 30" x 24" x 8" for 7.5-10HP (3Ph)
- Overcurrent protection
- Ground fault protection
- Motor contactor and overload
- Capacitors (single phase only)
- Digital timers with battery backup
- LED lighting circuit included in all control panels
- Custom Control Panels for multiple units and options available

