

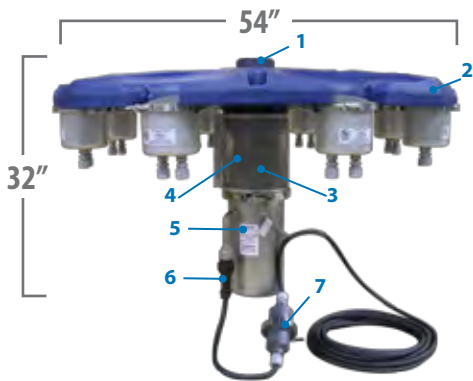
**MASTERS SERIES®**  
**CROWN & WIDE GEYSER**  
**BASIC FLOW PATTERN (BFP)**

VERTICAL ONLY

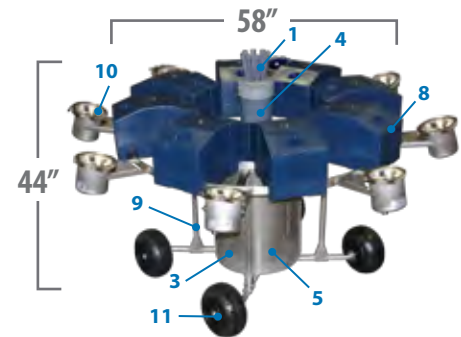


HORSEPOWER	1	2	3 & 3½	5	10
HT ft UPPER	12	15	20	22	31
HT x DIA ft LOWER	5 x 35	6 x 40	6 x 42	7 x 50	10 x 54
ELECTRICAL RATING Ph   VOLTAGE   AMPS	1   120   19	1   208-240   12.6	1 (3½HP)   208-240   15.2	1   208-240   27.1	1   220-240   60
	1   208-240   9.6	3   208-240   6.3	3 (3HP)   208-240   10.1	3   208-240   18	3   208-240   36
	3   208-240   5.4	3   440-480   3.1	3 (3HP)   440-480   5.1	3   440-480   9	3   440-480   18
	3   440-480   2.7				
HT m UPPER	3.5	4.3	5.2	6.7	10.4
HT m DIA m LOWER	1.8 x 9.1	1.7 x 10.6	2.1 x 9.7	3.1 x 15.2	3 x 16.5
ELECTRICAL RATING Ph   VOLTAGE   AMPS	1   220-230   8	1   208-230   10.5	1   220-230   19	1   208-230   24	3   380-415   18
	3   380-415   2.6	3   380-415   3.7	3   380-415   5	3   380-415   8	

**MASTERS SERIES® DESIGN**



**1 - 5 HP Masters Series  
 Vertical Design**  
 (Min. Operating Depth - 3ft.)



**10 HP Masters Series Cart  
 Design**  
 (Min. Operating Depth - 4ft.)

- 1 - Interchangeable nozzles
- 2 - Low profile float design with recessed pockets for LED & RGBW Lighting
- 3 - Stainless steel intake screen
- 4 - Patented, high-efficiency molded composite impeller system
- 5 - Exclusive custom-designed oil-cooled energy efficient motors with stainless steel motor housing and top plate
- 6 - AquaLock Connector (ALC) electrical quick disconnect
- 7 - Exclusive underwater cable disconnect
- 8 - Individual high density polyethylene floats are in-water adjustable
- 9 - Rugged stainless steel compact cart design
- 10 - Adjustable Night Glow LED or RGBW Lighting
- 11 - Oversized floatation type tires for ease of launching

