

**MASTERS SERIES®**

**CHAMPION**

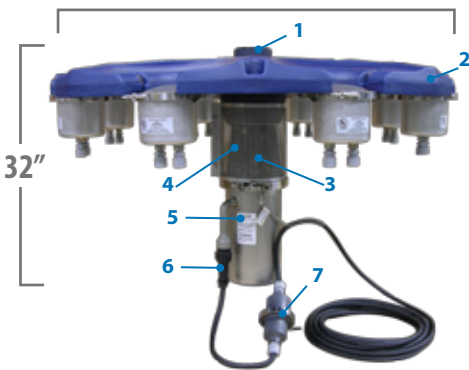
**STRAIGHTENED FLOW PATTERN (SFP)**

VERTICAL OR HORIZONTAL

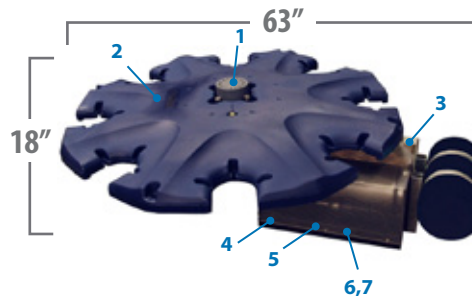


HORSEPOWER	1	2	3 & 3½	5	10
HT x DIA ft	7 x 20	9 x 24	10 x 30	15 x 37	24 x 56
ELECTRICAL RATING Ph   VOLTAGE   AMPS	1   120   19	1   208-240   12.6	1 (3½HP)   208-240   15.2	1   208-240   27.1	1   220-240   60
	3   208-240   9.6	3   208-240   6.3	3 (3HP)   208-240   10.1	3   208-240   18	3   208-240   36
	3   208-240   5.4	3   440-480   3.1	3 (3HP)   440-480   5.1	3   440-480   9	3   440-480   18
HT x DIA m	3.2 x 8.5	3.6 x 8.8	4.6 x 10.3	5.5 x 13.4	7.3 x 17
ELECTRICAL RATING Ph   VOLTAGE   AMPS	1   220-230   8	1   208-230   10.5	1   220-230   19	1   208-230   24	3   380-415   18
	3   380-415   2.6	3   380-415   3.7	3   380-415   5	3   380-415   8	

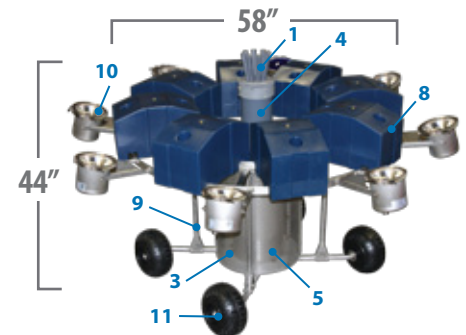
**MASTERS SERIES® DESIGN**



**1 - 5 HP Masters Series Vertical Design**  
 (Min. Operating Depth - 3ft.)



**1 - 5 HP Masters Series Horizontal Design**  
 (Min. Operating Depth - 16in.)

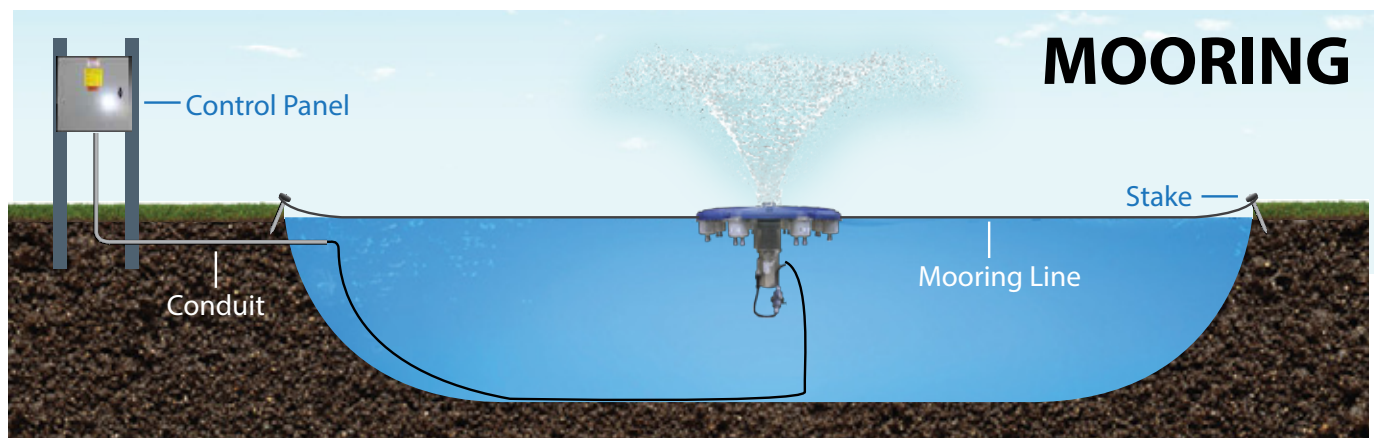
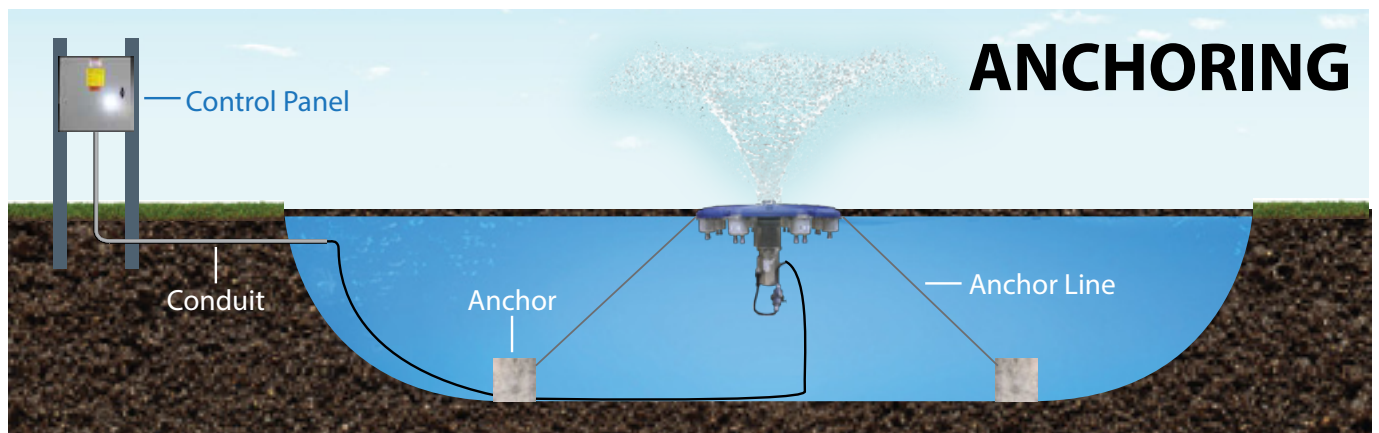


**10 HP Masters Series Cart Design**  
 (Min. Operating Depth - 4ft.)

- 1 - Interchangeable nozzles
- 2 - Low profile float design with recessed pockets for LED & RGBW Lighting
- 3 - Stainless steel intake screen
- 4 - Patented, high-efficiency molded composite impeller system
- 5 - Exclusive custom-designed oil-cooled energy efficient motors with stainless steel motor housing and top plate

- 6 - AquaLock Connector (ALC) electrical quick disconnect
- 7 - Exclusive underwater cable disconnect
- 8 - Individual high density polyethylene floats are in-water adjustable
- 9 - Rugged stainless steel compact cart design
- 10 - Adjustable Night Glow LED or RGBW Lighting
- 11 - Oversized floatation type tires for ease of launching

## INSTALLATION



## CONTROL PANEL



### CONTROL PANEL COMPONENTS

- Outdoor rated, lockable enclosure constructed of galvanized steel powder coated gray
- Standard enclosure size:  
 16" x 16" x 6" for 1-5HP  
 24" x 20" x 6" for 10HP (1Ph)  
 30" x 24" x 8" for 10HP (3Ph)
- Overcurrent protection
- Ground fault protection
- Motor contactor and overload
- Capacitors (single phase only)
- Digital timers with battery backup
- LED lighting circuit included in all control panels
- Custom Control Panels for multiple units and options available

